

Power Factor Correction Coils (Three Phase)

Features

- Used to cancel part of the undesirable capacitive-reactive current due to the line-to-ground capacitors in Power Line Filters operating at 400 Hz power
- Coils are optional for CDEUX,CDEUW, CDEUL, TECUL, CDSUW and CDSUX filters

Electrical Characteristics

Voltage Rating:

120/208 VAC/400 Hz

Temperature Rise:

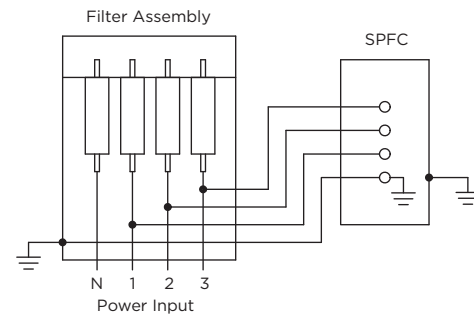
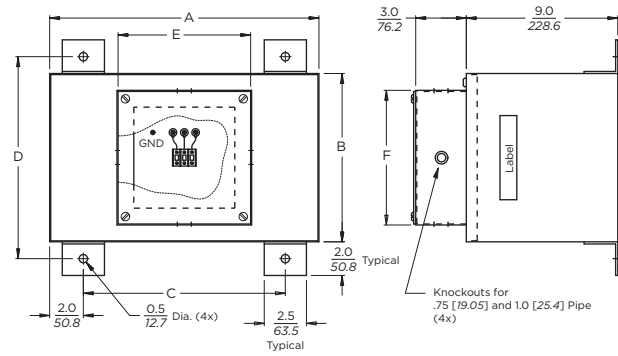
Case temperature rise shall not exceed 35°C when operating at an ambient temperature of 25°C

Materials

Unit Case:

- #16GA min. steel
- All surfaces painted

Power factor correction coils are also available for single phase products. Contact Product Engineering at 847-573-6517



Part Nos.	Catalog No.	Dimensions ±0.06 [1.52]						Current per Phase	Used For
		A	B	C	D	E	F		
1609206-2	SPFC301	16.0 <i>406.4</i>	10.0 <i>254.0</i>	12.0 <i>304.8</i>	12.0 <i>304.8</i>	8.0 <i>203.2</i>	8.0 <i>203.2</i>	12A	CDEUL, TECUL, CDEUX CDEUW, CDSUW, CDSUX *****030A4
1609206-4	SPFC302	18.0 <i>457.2</i>	11.0 <i>279.4</i>	14.0 <i>355.6</i>	13.0 <i>330.2</i>	8.0 <i>203.2</i>	8.0 <i>203.2</i>	24A	CDEUL, TECUL, CDEUX CDEUW, CDSUW, CDSUX *****060A4
1609206-6	SPFC303	18.0 <i>457.2</i>	16.0 <i>406.4</i>	14.0 <i>355.6</i>	18.0 <i>457.2</i>	14.0 <i>355.6</i>	12.0 <i>304.8</i>	36A	CDEUL, TECUL, CDEUX CDEUW, CDSUW, CDSUX *****100A4
1609206-7	SPFC304	20.0 <i>508.0</i>	20.0 <i>508.0</i>	16.0 <i>406.4</i>	22.0 <i>558.8</i>	14.0 <i>355.6</i>	12.0 <i>304.8</i>	48A	CDEUL, TECUL, CDEUX CDEUW, CDSUW, CDSUX *****225A4