

High Performance High Current Three Phase Delta RFI Filters

# ADT Series



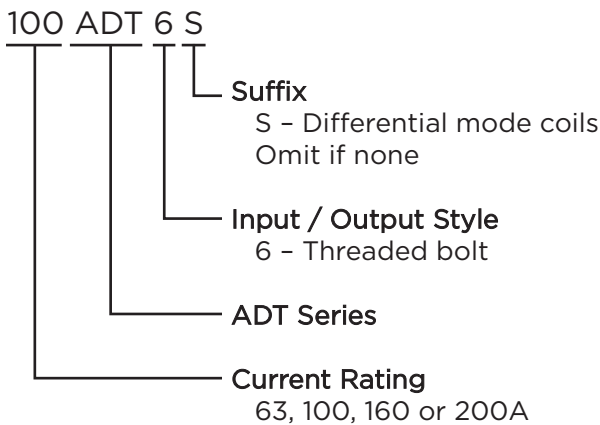
UL Recognized



## ADT Series

- Designed for very high insertion loss for Delta three phase, three wire applications
- Available with common or differential mode coils

## Ordering Information



## Available Part Numbers

|         |          |
|---------|----------|
| 63ADT6  | 63ADT6S  |
| 100ADT6 | 100ADT6S |
| 160ADT6 | 160ADT6S |
| 200ADT6 | 200ADT6S |

## Specifications

**Maximum leakage current at 277 VAC 60 Hz, each line to ground:**

|                    |       |
|--------------------|-------|
| ADT6:              | 1.3 A |
| 63ADT6S:           | 2.6 A |
| 100, 160, 200ADT6S | 4.6A  |

**Hipot rating (one minute):**

|                 |          |
|-----------------|----------|
| line to ground: | 2210 VDC |
| line to line:   | 2158 VDC |

**Rated Voltage (max):**

|                  |         |
|------------------|---------|
| phase to phase:  | 480 VAC |
| phase to ground: | 277 VAC |

**Operating Frequency:**

50/60 Hz

**Rated Current:**

63 to 200A

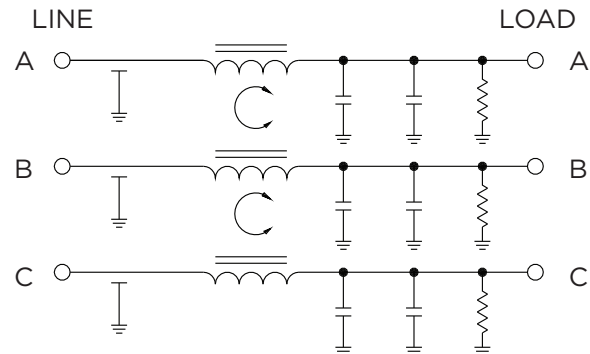
**Operating Ambient Temperature Range**

(at rated current  $I_r$ ): -10°C to +40°C

In an ambient temperature ( $T_a$ ) higher than +40°C the maximum operating current ( $I_o$ ) is calculated as follows:  $I_o = I_r \sqrt{(85-T_a)/45}$

## Electrical Schematics

### 63ADT6

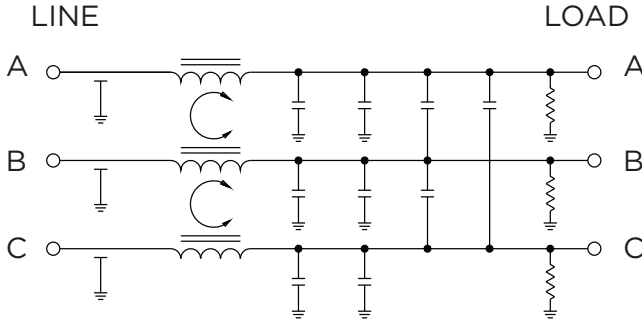


**High Performance High Current Three Phase Delta RFI Filters** *(continued)*

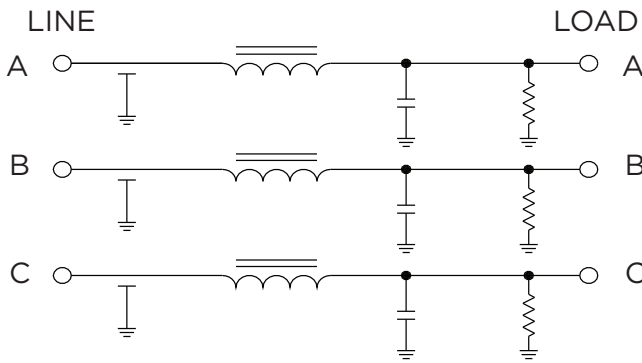
# ADT Series

## Electrical Schematics *(continued)*

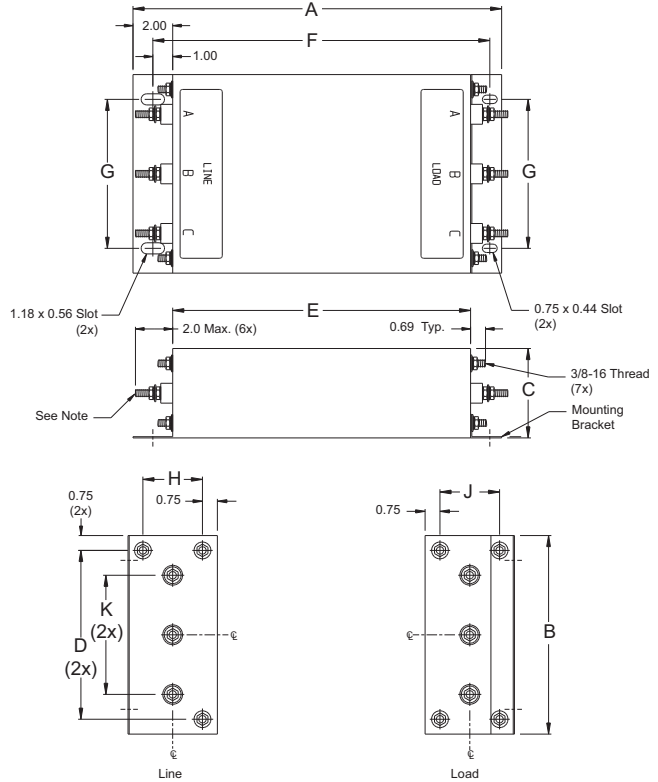
### 100, 160 & 200 ADT6



### ADT6S



## Case Style



Terminals (6) :  
 63ADT6, 63ADT6S, 100ADT6S: 3/8-16, Torque (max.) 70 lbf-in [7.91 N-m]  
 100ADT6, 160 & 200 ADT6/S: 7/16-20, Torque (max.) 125 lbf-in [14.12 N-m]

## Case Dimensions

| Part No.     | A<br>(max.)    | B<br>(max.)    | C<br>(max.)  | D<br>$\pm .030$<br>$\pm .76$ | E<br>(max.)    | F<br>$\pm .030$<br>$\pm .76$ | G<br>$\pm .030$<br>$\pm .76$ | H<br>$\pm .030$<br>$\pm .76$ | J<br>$\pm .030$<br>$\pm .76$ | K<br>(max.)   |
|--------------|----------------|----------------|--------------|------------------------------|----------------|------------------------------|------------------------------|------------------------------|------------------------------|---------------|
| 63ADT6       | 14.00<br>355.6 | 10.00<br>254.0 | 3.5<br>89.0  | 8.5<br>216.0                 | 10.00<br>254.0 | 11.97<br>304.0               | 7.5<br>190.35                | 1.75<br>44.4                 | 2.00<br>50.8                 | 6.00<br>152.4 |
| 63ADT6S      | 19.00<br>482.6 | 10.00<br>254.0 | 4.5<br>114.3 | 8.5<br>216.0                 | 15.00<br>381.0 | 16.97<br>431.0               | 7.5<br>190.5                 | 3.00<br>76.2                 | 3.00<br>76.2                 | 6.00<br>152.4 |
| 100ADT6      | 19.00<br>482.6 | 10.00<br>254.0 | 4.5<br>114.3 | 8.5<br>216.0                 | 15.00<br>381.0 | 16.97<br>431.0               | 7.5<br>190.5                 | 3.00<br>76.2                 | 3.00<br>76.2                 | 6.00<br>152.4 |
| 100ADT6S     | 19.00<br>482.6 | 11.00<br>279.4 | 4.5<br>114.3 | 8.5<br>216.0                 | 15.00<br>381.0 | 16.97<br>431.0               | 8.5<br>215.9                 | 3.00<br>76.2                 | 3.00<br>76.2                 | 6.00<br>152.4 |
| 160/200ADT6  | 19.00<br>482.6 | 10.00<br>254.0 | 4.5<br>114.3 | 8.5<br>216.0                 | 15.00<br>381.0 | 16.97<br>431.0               | 7.5<br>190.5                 | 3.00<br>76.2                 | 3.00<br>76.2                 | 6.00<br>152.4 |
| 160/200ADT6S | 22.00<br>558.8 | 13.00<br>330.2 | 4.5<br>114.3 | 11.5<br>292.2                | 18.00<br>457.2 | 19.97<br>507.2               | 10.5<br>266.7                | 2.75<br>69.8                 | 3.00<br>76.2                 | 7.00<br>177.8 |

**High Performance High Current Three Phase Delta RFI Filters** *(continued)*

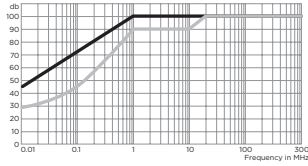
# ADT Series

## Performance Data

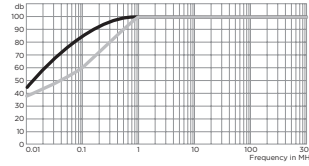
### Typical Insertion Loss

Measured in closed 50 ohm system

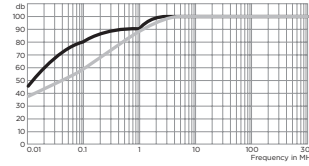
**63ADT6**



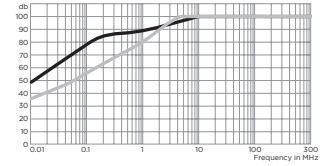
**100ADT6**



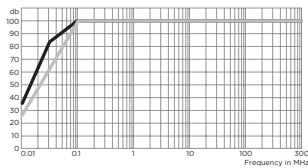
**160ADT6**



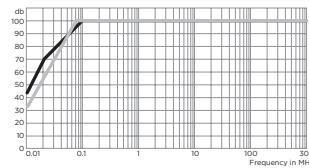
**200ADT6**



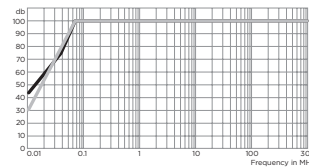
**63ADT6S**



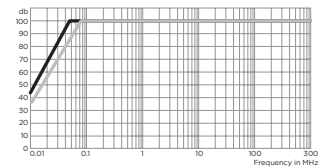
**100ADT6S**



**160ADT6S**



**200ADT6S**



— Common Mode / Asymmetrical (L-G)  
- - - Differential Mode / Symmetrical (L-L)

### Minimum Insertion Loss

Measured in closed 50 ohm system

Common Mode / Asymmetrical (Line to Ground)

| Part No. | Frequency – MHz |    |    |     |     |     |     |
|----------|-----------------|----|----|-----|-----|-----|-----|
|          | .01             | .1 | 1  | 10  | 30  | 100 | 300 |
| 63ADT6   | 45              | 85 | 95 | 100 | 100 | 100 | 100 |
| 100ADT6  | 45              | 85 | 90 | 100 | 100 | 100 | 100 |
| 160ADT6  | 45              | 80 | 90 | 100 | 100 | 100 | 100 |
| 200ADT6  | 45              | 77 | 88 | 100 | 100 | 100 | 100 |
| 63ADT6S  | 28              | 45 | 90 | 90  | 90  | 90  | 90  |
| 100ADT6S | 38              | 60 | 95 | 100 | 100 | 100 | 100 |
| 160ADT6S | 37              | 58 | 85 | 100 | 100 | 100 | 100 |
| 200ADT6S | 35              | 54 | 80 | 100 | 100 | 100 | 100 |

Differential Mode / Symmetrical (Line to Line)

| Part No. | Frequency – MHz |     |     |     |     |     |     |
|----------|-----------------|-----|-----|-----|-----|-----|-----|
|          | .01             | .1  | 1   | 10  | 30  | 100 | 300 |
| 63ADT6   | 35              | 100 | 100 | 100 | 100 | 100 | 100 |
| 100ADT6  | 43              | 100 | 100 | 100 | 100 | 100 | 100 |
| 160ADT6  | 44              | 100 | 100 | 100 | 100 | 100 | 100 |
| 200ADT6  | 43              | 100 | 100 | 100 | 100 | 100 | 100 |
| 63ADT6S  | 35              | 100 | 100 | 100 | 100 | 100 | 100 |
| 100ADT6S | 43              | 100 | 100 | 100 | 100 | 100 | 100 |
| 160ADT6S | 44              | 100 | 100 | 100 | 100 | 100 | 100 |
| 200ADT6S | 43              | 100 | 100 | 100 | 100 | 100 | 100 |